

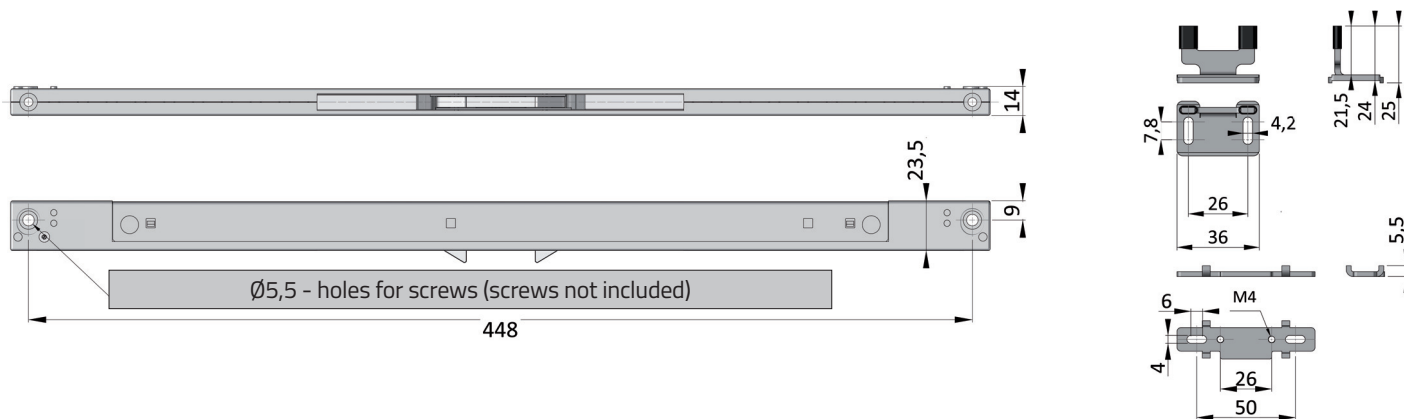
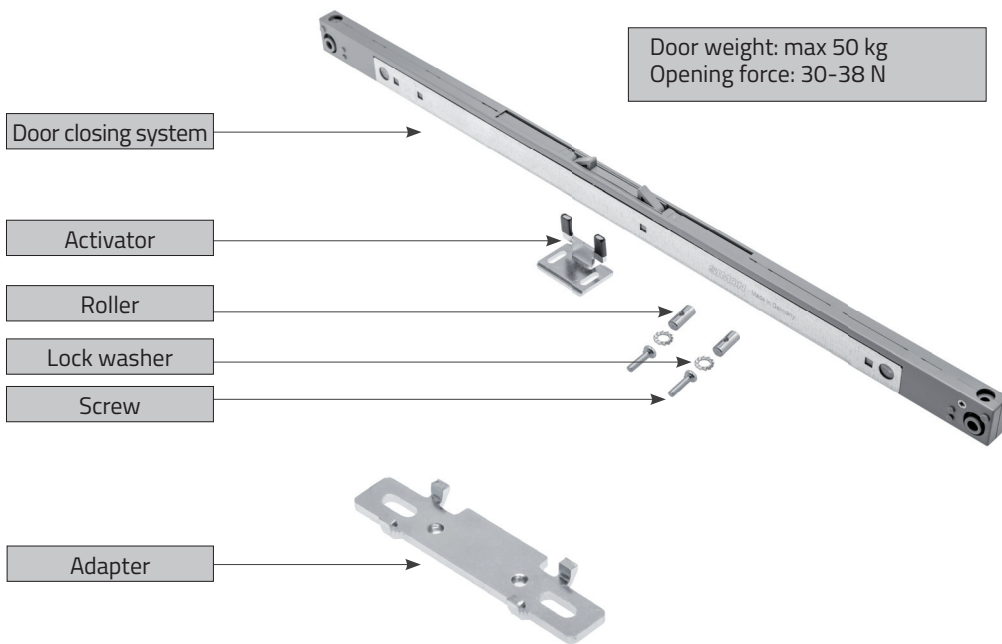
# INTERNAL SOFT CLOSING DAMPER SIMON

Door closing damper set includes (A-MSOFT-Rama)

Product	Quantity
Door closing damper (40N)	1 pc.
Roller - 5x12 (M3)	2 pcs.
Lock washer	2 pcs.
Screw - M3 x 12	2 pcs.
Activator	1 pc.

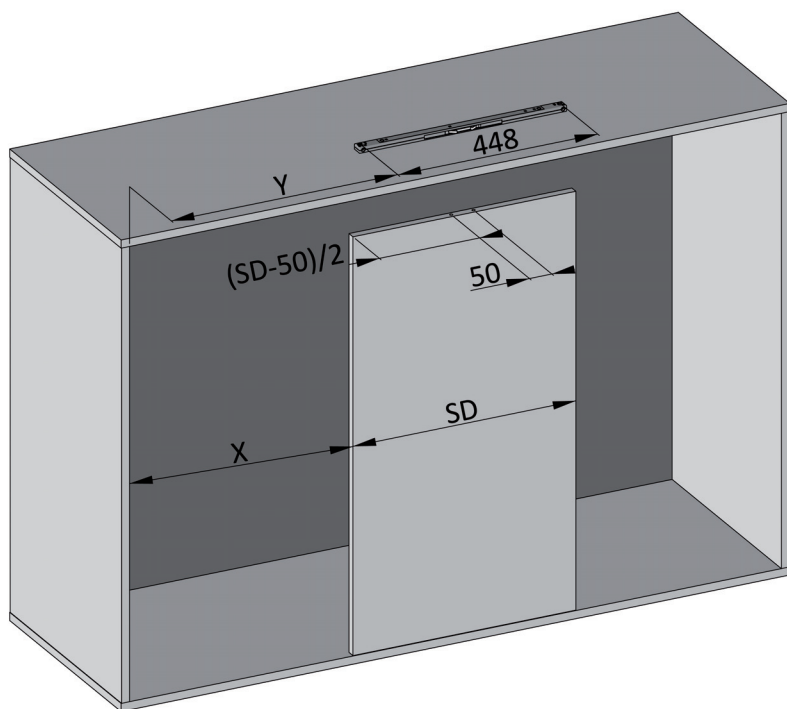
Adapter set includes (A-MSOFT-ADAPT)

Product	Quantity
Adapter	1 pc.
Screw -M4 x 5	2 pcs.



## DIMENSIONS OF DOORS FOR FRAMLESS SYSTEMS

Adapter should be mounted in the axis of symmetry.  
Screws for mounting the adapter 3,5 x 16 not included.



For overlay doors use:

- ▶ soft closing damper
- ▶ activator - 1 pc.
- ▶ adapter - 1 pc.
- ▶ screw M4x5 - 2 pcs.
- ▶ lock washer - 2 pcs.

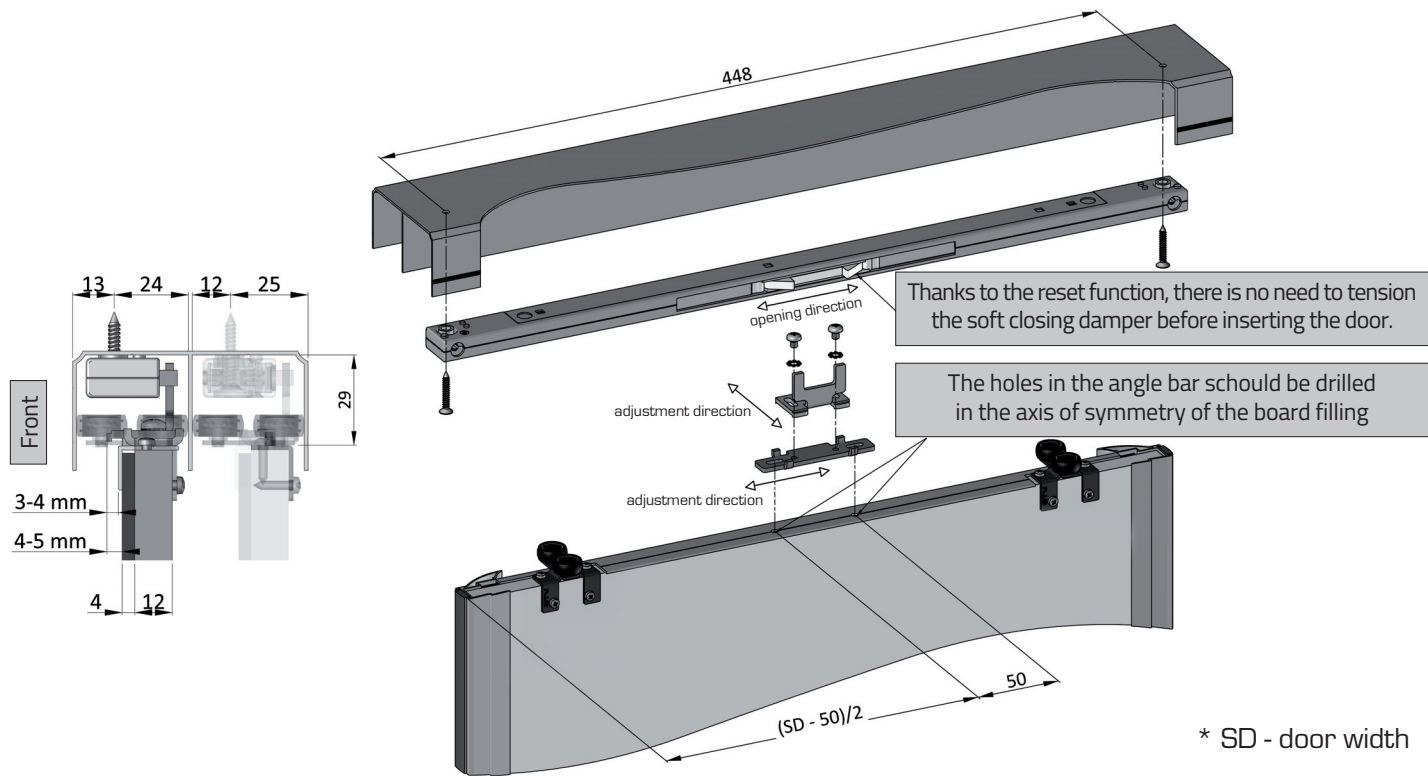
### DESIGNATIONS

SD - door width  
X - position of center door  
Y - distance from the side to the first mounting hole of the soft closing damper

$$Y = X + (SD - 448) / 2$$

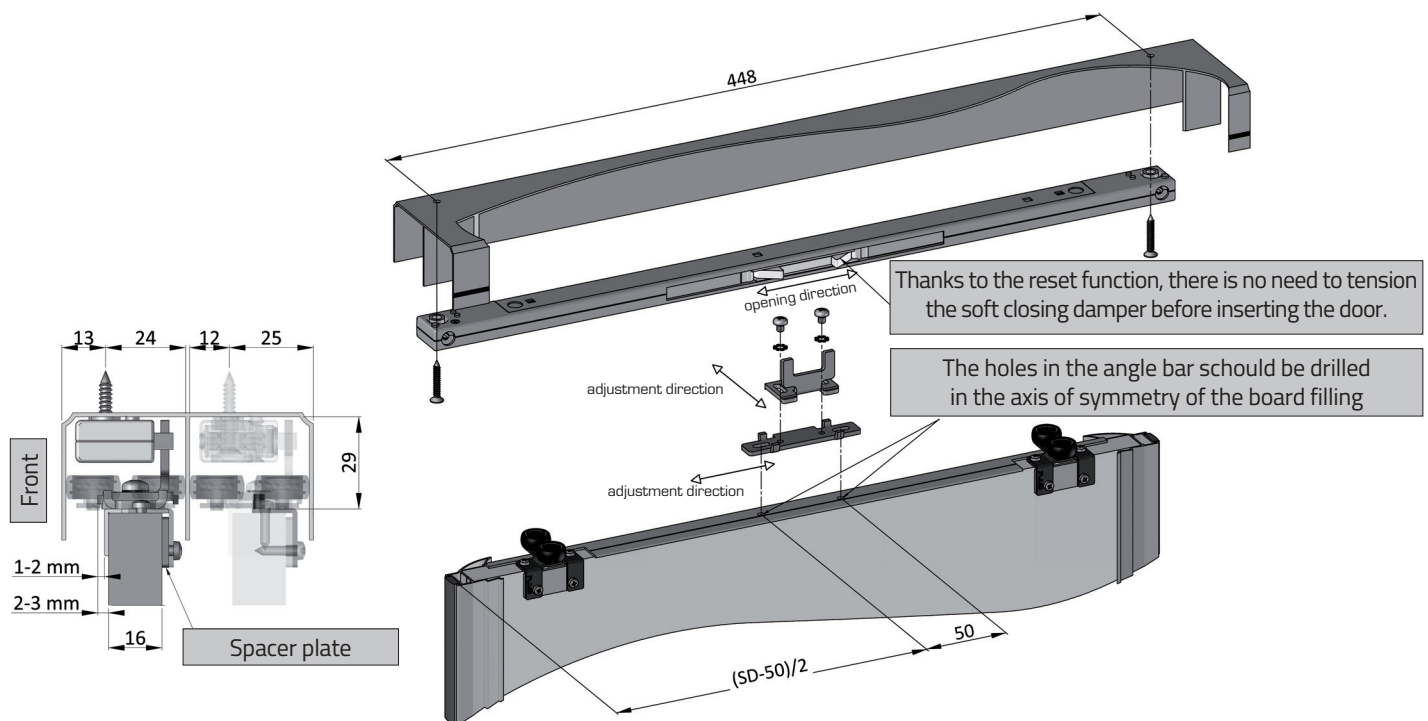
# MOUNTING DIMENSIONS OF THE SOFT CLOSING DAMPER IN SYSTEM NOVO 2 (12/4)

When using the internal soft closing damper and the activator at full length, adjustment of the door height is between 0 and 3mm  
If there is a need for regulation in a wider range - shorten the stem of the activator



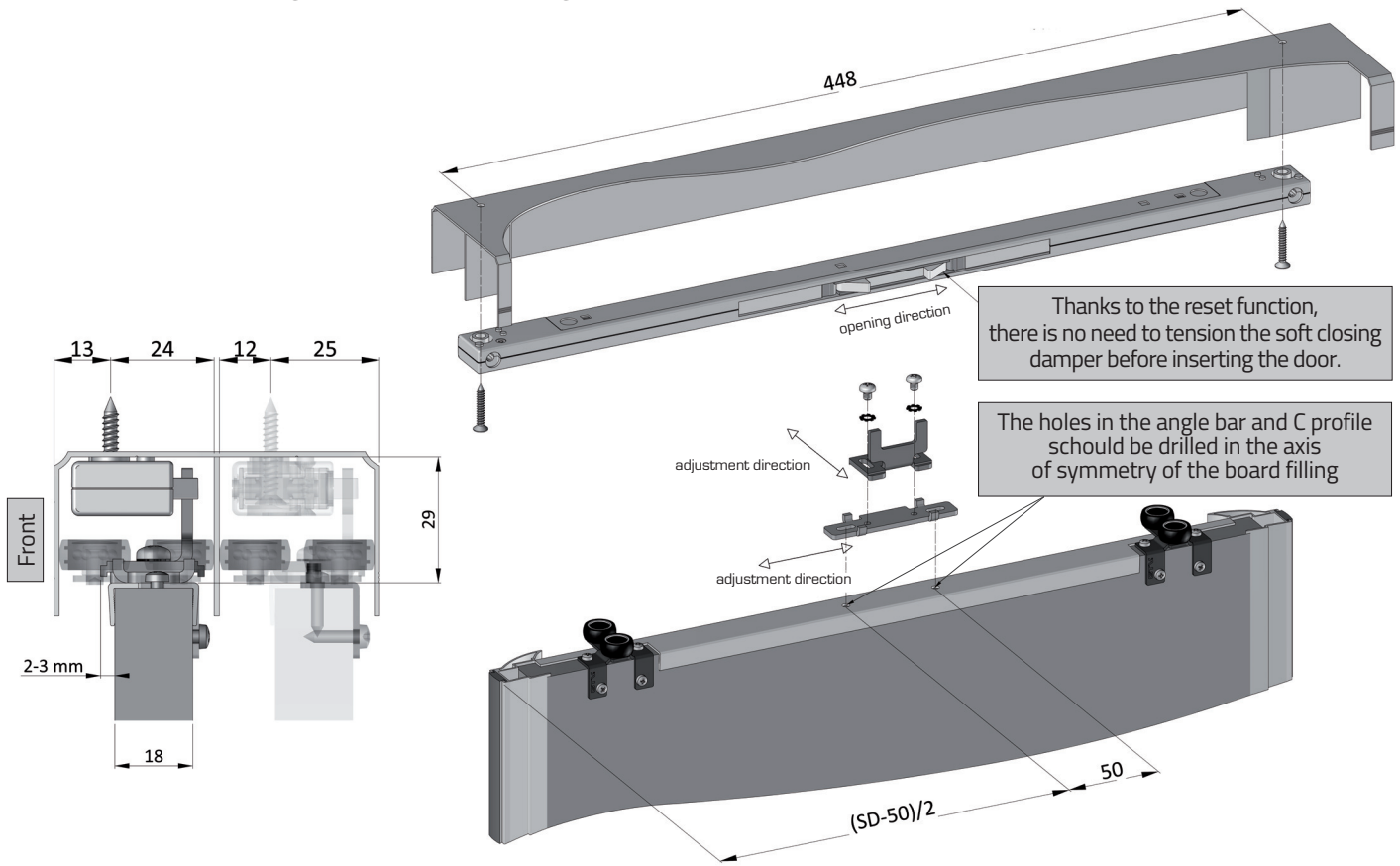
# MOUNTING DIMENSIONS OF THE SOFT CLOSING DAMPER IN SYSTEM : NOVO S (16), COTE (16)

When using the internal soft closing damper and the activator at full length, adjustment of the door height is between 0 and 3mm  
If there is a need for regulation in a wider range - shorten the stem of the activator.



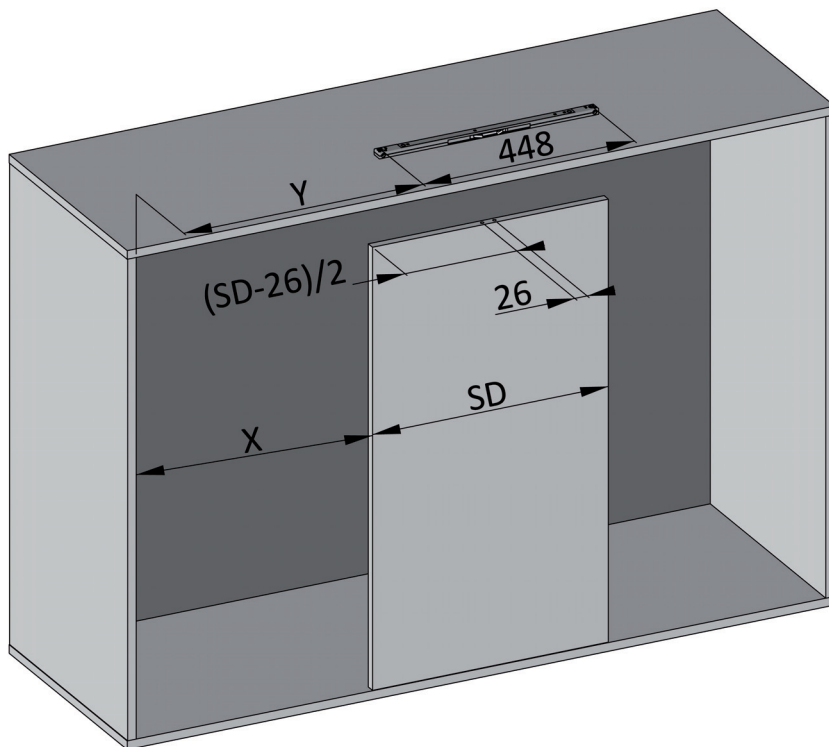
## MOUNTING DIMENSIONS OF THE SOFT CLOSING DAMPER IN SYSTEM ERGO (18), NOVO S (18), VISTA (18), COTE (18), NERO (18), CARO (18)

When using the internal soft closing damper and the activator at full length, adjustment of the door height is between 0 and 3mm  
 If there is a need for regulation in a wider range - shorten the stem of the activator.



## DIMENSIONS OF DOORS FOR FRAMLESS SYSTEMS

Adapter should be mounted in the axis of symmetry.



- For overlay doors use:
- ▶ soft closing damper
  - ▶ activator - 1 pc.
  - ▶ adapter - 1 pc.
  - ▶ screw M4x5 - 2 pcs.
  - ▶ lock washer - 2 pcs.

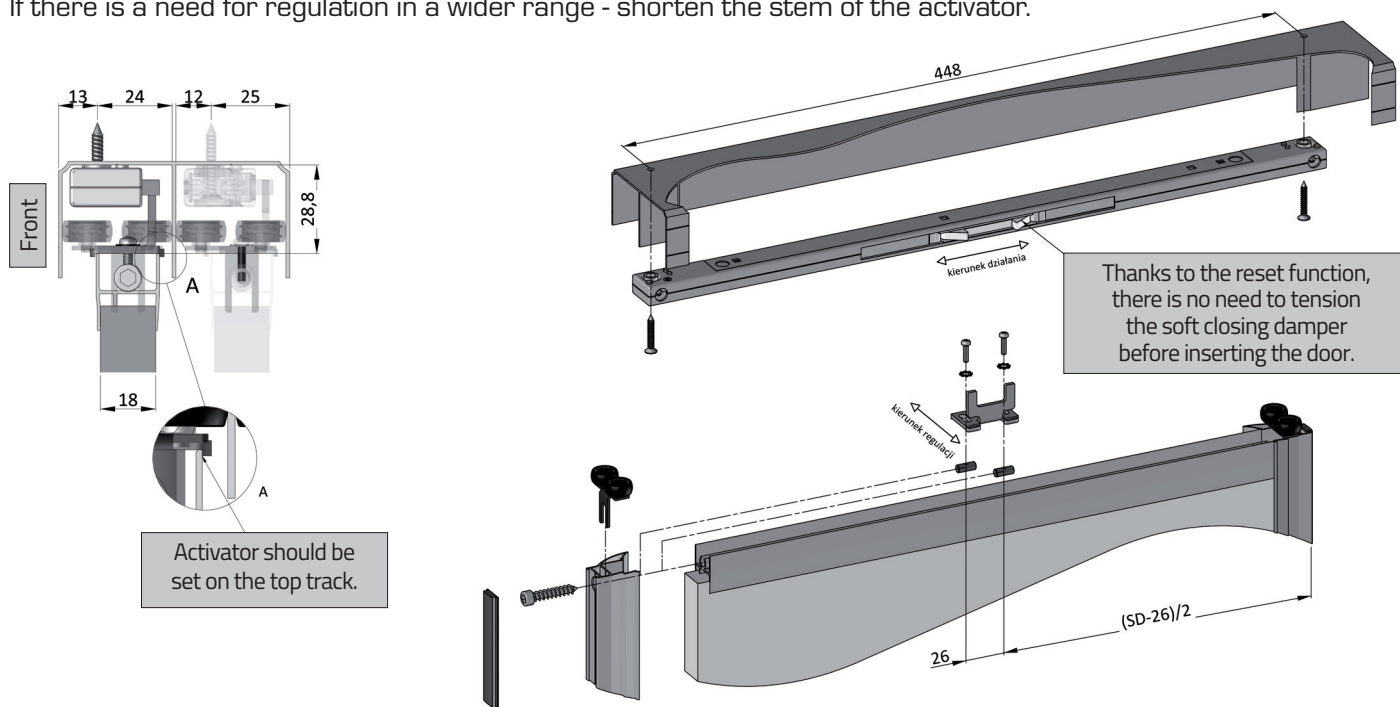
### DESIGNATIONS

SD - door width  
 X - position of center door  
 Y - distance from the side to the first mounting hole of the soft closing damper

$$Y = X + (SD - 448) / 2$$

# MOUNTING DIMENSIONS OF THE SOFT CLOSING DAMPER IN SYSTEM NOVO S (18/4)

When using the internal soft closing damper and the activator at full length, adjustment of the door height is between 0 and 3mm  
 If there is a need for regulation in a wider range - shorten the stem of the activator.



# MOUNTING DIMENSIONS OF THE SOFT CLOSING DAMPER IN FRAME SYSTEMS 10/4

When using the internal soft closing damper and the activator at full length, adjustment of the door height is between 0 and 3mm  
 If there is a need for regulation in a wider range - shorten the stem of the activator.

